



AVANTI® Hydraulic Torque Wrench

The AVANTI Hydraulic Torque Wrench offers the widest range of torque output with a maximum output of more than 130,000 ft-lbs in the largest model. With tens of thousands in use around the world, the AVANTI is the industry's trusted solution for next-generation bolting.

REACTION DRIVE



The AVANTI features a patented industry-first reaction drive (also found on the ICE series) that eliminates the destructive twisting force that occurs in other torque wrenches that have a back-end reaction arm.

TORQUE & ANGLE DIAL



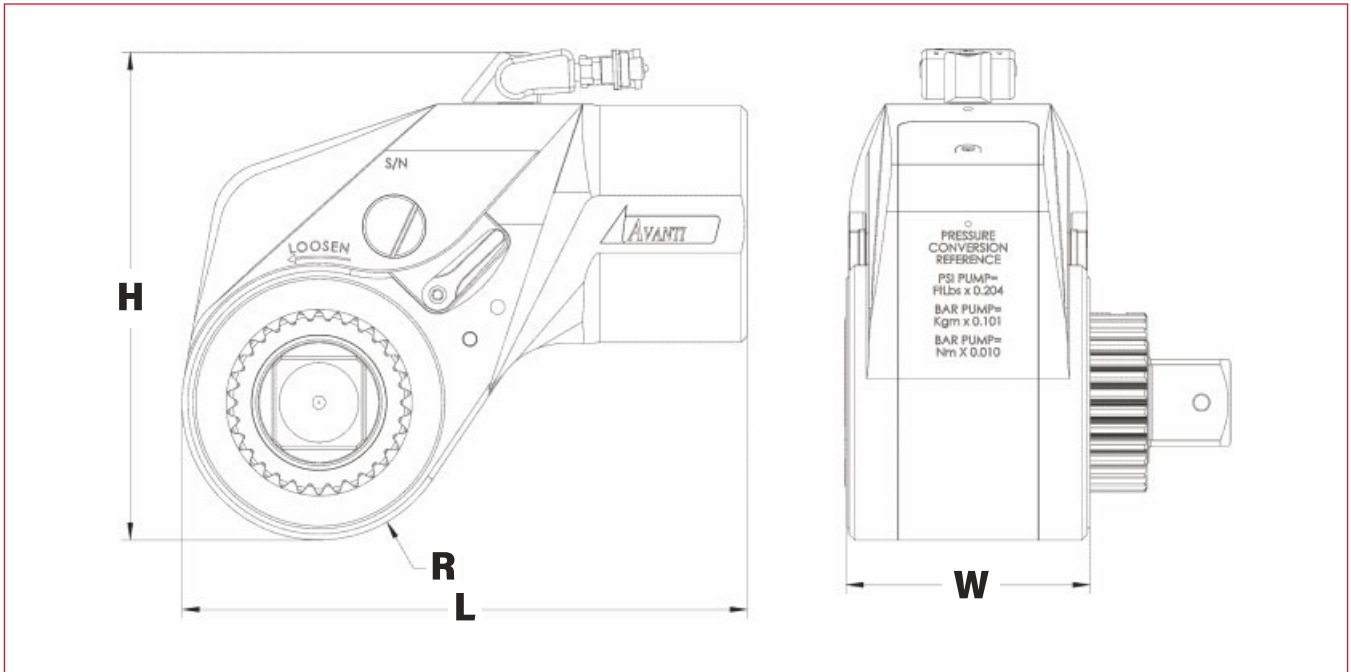
With a simple add-on, the AVANTI system is capable of providing a clear angle reading for bolting methods that incorporate turn of the nut.

MULTI-USE SYSTEM



The AVANTI works with all HYTORC bolting systems including fastening with the HYTORC Nut (1) and the revolutionary new HYTORC Washer (2) for added safety, speed, and accuracy on any job.

HYDRAULIC



LEGEND: H = HEIGHT W = WIDTH L = LENGTH R = RADIUS

| MODEL NUMBER | H | W | L | R | SQUARE DRIVE | WEIGHT | TORQUE | |
|--------------|-------|------|-------|------|--------------|--------|--------------|--------------|
| IMPERIAL | in. | | | | | lbs. | ft-lbs (Min) | ft-lbs (Max) |
| AVANTI - .7 | 4.19 | 1.79 | 4.14 | 0.99 | 3/4 | 3.10 | 115 | 767 |
| AVANTI - 1 | 4.76 | 2.18 | 4.71 | 1.13 | 3/4 | 4.50 | 196 | 1,284 |
| AVANTI - 3 | 6.20 | 2.90 | 6.15 | 1.52 | 1 | 9.45 | 460 | 3,084 |
| AVANTI - 5 | 7.14 | 3.38 | 7.36 | 1.80 | 1-1/2 | 15.60 | 804 | 5,360 |
| AVANTI - 8 | 7.90 | 3.86 | 8.24 | 1.94 | 1-1/2 | 20.75 | 1,150 | 7,760 |
| AVANTI - 10 | 8.85 | 4.35 | 9.20 | 2.25 | 1-1/2 | 29.20 | 1,800 | 11,743 |
| AVANTI - 20 | 10.22 | 5.07 | 10.94 | 2.60 | 2-1/2 | 47.70 | 2,760 | 17,890 |
| AVANTI - 35 | 12.22 | 6.23 | 13.45 | 3.19 | 2-1/2 | 82.75 | 4,905 | 31,830 |
| AVANTI - 50 | 13.90 | 7.04 | 15.54 | 3.95 | 2-1/2 | 127.70 | 7,202 | 46,126 |
| AVANTI - 80 | 16.84 | 7.49 | 19.52 | 4.69 | 3-1/2 | 280.50 | 11,965 | 85,695 |
| AVANTI - 130 | 19.40 | 8.50 | 22.73 | 5.31 | 3-1/2 | 585.00 | 19,395 | 138,510 |

| METRIC | mm | | | | kg | Nm (Min) | Nm (Max) |
|--------------|-----|-----|-----|-----|--------|----------|----------|
| AVANTI - .7 | 106 | 45 | 105 | 25 | 1.41 | 156 | 1039 |
| AVANTI - 1 | 121 | 55 | 120 | 29 | 2.05 | 266 | 1740 |
| AVANTI - 3 | 157 | 74 | 156 | 39 | 4.30 | 623 | 4179 |
| AVANTI - 5 | 181 | 86 | 187 | 46 | 7.09 | 1089 | 7263 |
| AVANTI - 8 | 201 | 98 | 209 | 49 | 9.43 | 1558 | 10515 |
| AVANTI - 10 | 225 | 110 | 234 | 57 | 13.27 | 2439 | 15912 |
| AVANTI - 20 | 260 | 129 | 278 | 66 | 21.68 | 3740 | 24241 |
| AVANTI - 35 | 310 | 158 | 342 | 81 | 37.61 | 6646 | 43130 |
| AVANTI - 50 | 353 | 179 | 395 | 100 | 58.05 | 9759 | 62501 |
| AVANTI - 80 | 428 | 190 | 496 | 119 | 127.50 | 16213 | 116118 |
| AVANTI - 130 | 493 | 216 | 577 | 135 | 265.91 | 26280 | 187683 |

HYTORC owns all content, copyrights, trademarks and patents in this document. © 2021 HYTORC. Any unauthorized use or distribution of any material from this document is strictly prohibited.



ADVANCED BOLTING SOLUTIONS PVT. LTD.

HO: "ABS House", Plot No. W-116 (A),
T.T.C. Industrial Area, MIDC Khairane,
Navi Mumbai - 400 710.

Ph No: +91 82828 29795
E-mail: lead@absgroup.in
Web: www.absgroup.in